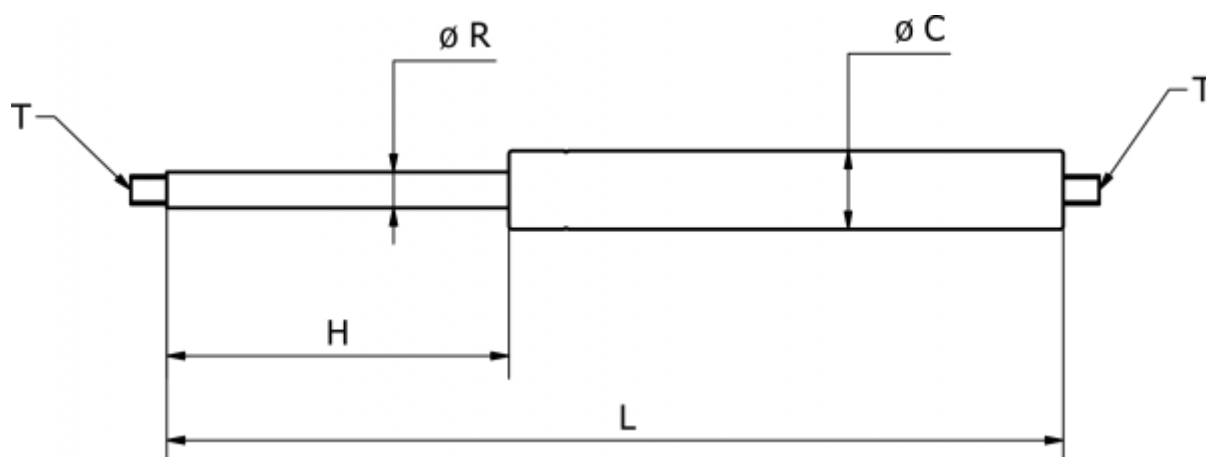


Article number: 04H081900600500V2

Description: Stabilus IndustryLine stainless steel gas spring size 08/19
500N length 165mm, stroke 60mm Type 04H0819500

Measures



C = 19

H = 60

L = 165

R = 8

T = M8 x 10